

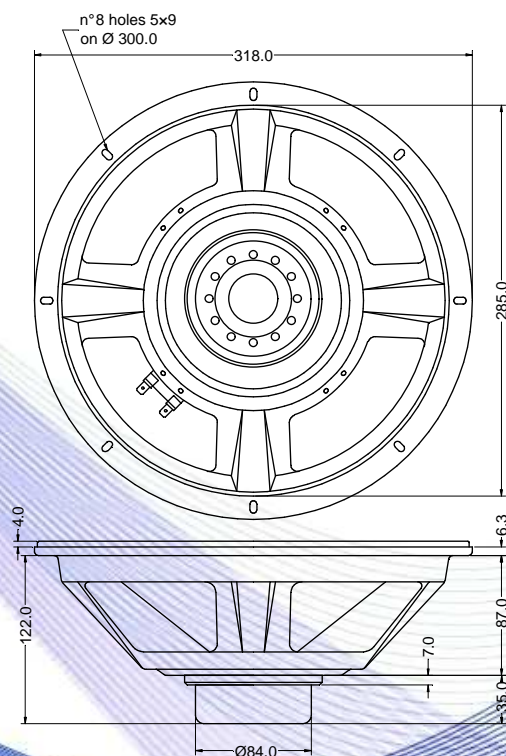
- 2,5" voice coil Kapton former
- Neodymium magnet
- 97.1 dB sensitivity



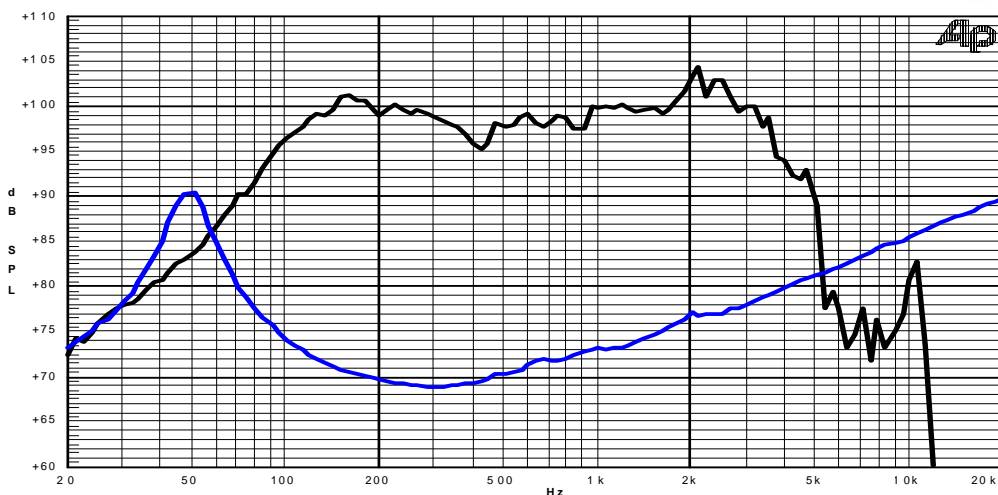
Specifications	
Nominal Diameter	318mm (12")
Nominal Impedance	8Ω
Rated Power AES <sup>(1)</sup>	250W
Continuous Program Power <sup>(2)</sup>	500W
Sensitivity @ 1W/1m <sup>(3)</sup>	97.0dB
Voice Coil Diameter	65mm (2,5")
Voice Coil Winding Depth	14mm
Magnetic Gap Depth	8mm
Flux Density	1.15T
Magnet Weight	220g
Net Weight	2.3kg

Thiele & Small Parameters <sup>(4)</sup>			
Re	5.60Ω	Fs	48.0Hz
Qms	4.11	Qes	0.37
Qts	0.34	Mms	49.2g
Cms	221μm/N	Bxl	14.90Tm
Vas	75.3l	Sd	490.9cm <sup>2</sup>
X max <sup>(5)</sup>	+/-3.5mm	X var <sup>(6)</sup>	+/-6.1mm
η <sub>0</sub>	2.17%	Le (1kHz)	0.75mH

Costructive Characteristics	
Magnet	: Neodymium
Basket Material	: Pressed Sheet Steel
Voice Coil Winding Material	: Copper
Voice Coil Former Material	: Kapton
Cone Material	: Paper
Cone Treatment	: No
Surround Material	: Treated Cloth
Dust Dome Material	: Solid Paper



Frequency Response on IEC Baffle (DIN 45575) @ 1W,1m – Free Air Impedance



- Note:
- 1 : Rated Power measured with 2 hours test with pink noise signal, 6dB crest factor, loudspeaker mounted on enclosure
  - 2 : Power on Continuous Program is defined as 3 dB greater than the Rated Power
  - 3 : Calculated by Thiele & Small parameters
  - 4 : Thiele & Small parameters measured with laser system without preconditioning test
  - 5 : Measured with respect to a THD of 10% using a parameter-based method
  - 6 : Value corresponding to a decay of the Force Factor, or Compliance, or both, equal to the 50% of the small signal value.
  - 7 : Drawing dimensions: mm
  - 8 : The notch around 400Hz on the frequency response is typical of the measurement on IEC baffle