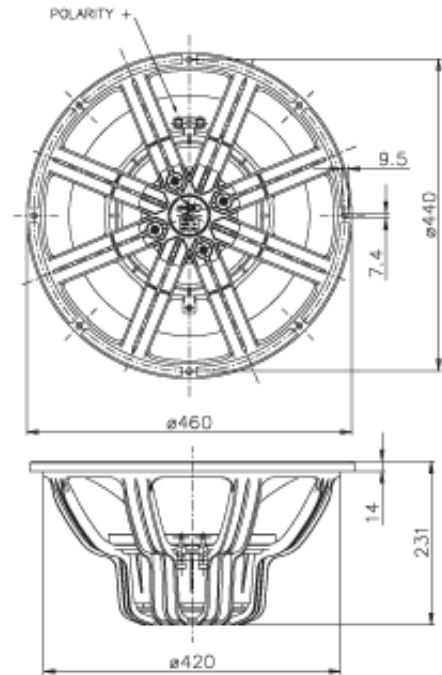




18XL1600 High Performance Series



NOMINAL SPECIFICATIONS

Nominal Diameter	460 mm (18 in)
Overall Diameter	460 mm (18.11 in)
Bolt Circle Diameter	440 mm (17.32 in)
Baffle Cutout Diameter	422 mm (16.6 in)
Depth	231 mm (9.09 in)
Flange and Gasket Thickness	14 mm (0.55 in)
Net Weight	12.2 Kg (26.9 lb)
Shipping Box (Single Carton Box)	536x536x310 mm (21.1x21.1x12.2 in)
Shipping Weight	13.7 Kg (30.2 lb)

ELECTRICAL SPECIFICATION

Minimum Impedance	7.4 Ohm
Nominal Impedance	8 Ohm
AES Power Handling *	1600 W
Maximum Power Handling **	3200 W
Sensitivity (1W/1m)	98 dB
Frequency Range	30÷1500 Hz
Voice Coil Diameter	100 mm (4 in)
Winding Material	Cu
Former Material	Glass Fiber
Winding Depth	31 mm (1.23 in)
Magnetic Gap Depth	15.5 mm (0.61 in)
Flux Density	1.05 T
Magnet	Neodymium Slug Crown
Demodulation	Triple Al Dem. Ring
Suspension ***	Triple Roll

THIELE & SMALL PARAMETERS

Fs	32 Hz
Re	5.4 Ohm
Bl	26.7 N/A
Mms	240 g
Cms	0.1 mm/N
Rms	5.20 Kg/s
Qes	0.37
Qms	9.3
Qts	0.36
Vas	184.7 dm ³ (6.52 ft ³)
Sd	1124 cm ² (174.2 in ²)
Xmax ****	12.9 mm
Xdamage *****	28 mm
Le	1.45 mH
Mmd	217 g
Eta Zero	1.61 %
EBP	86 Hz

NOTES

PATENT PENDING

Spider Profile: 2x non-adjacent symmetrical constant height waves

(*) 2 Hours Test According to AES 2-1984 Rev. 2003

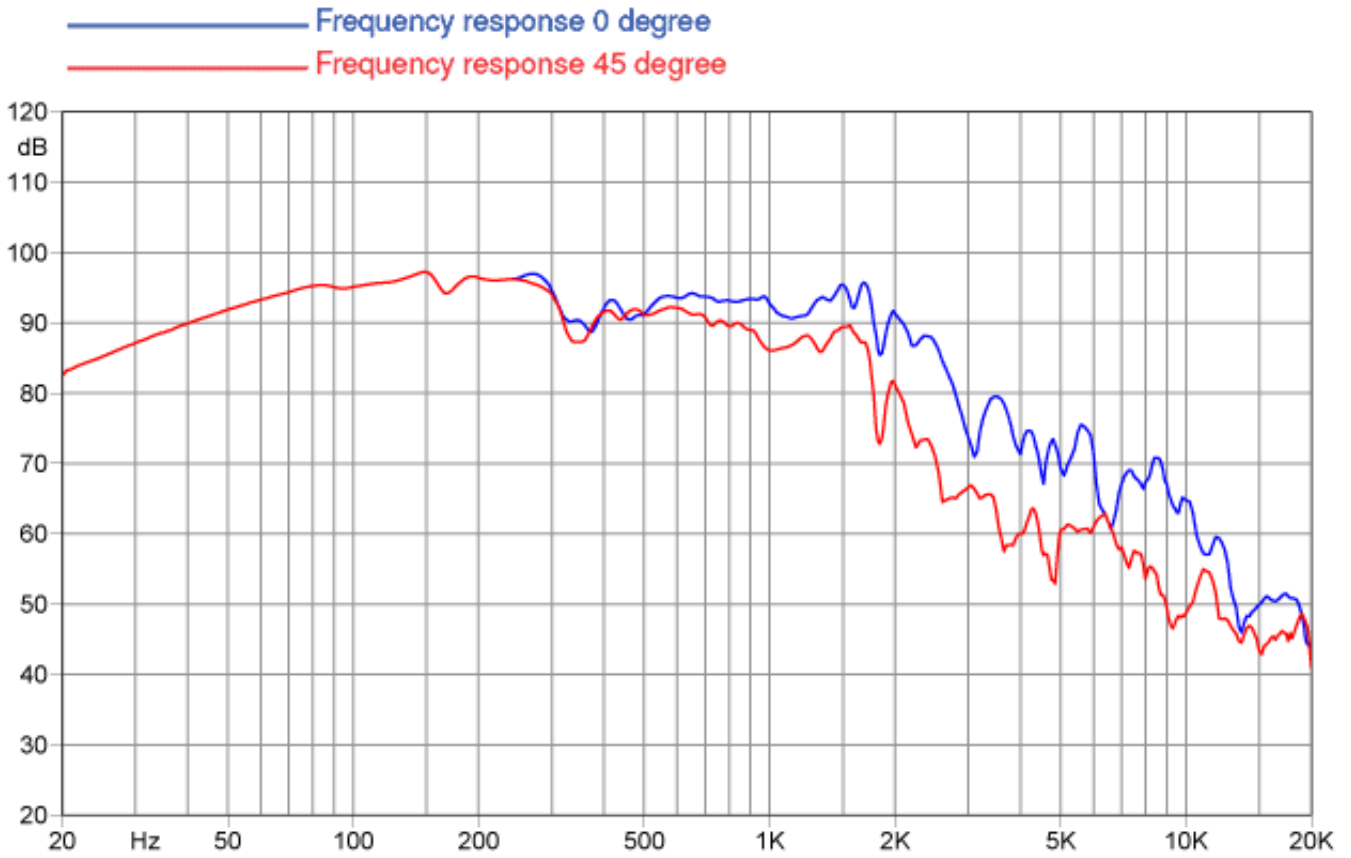
(**) Maximum power is defined as 3dB greater than nominal power.

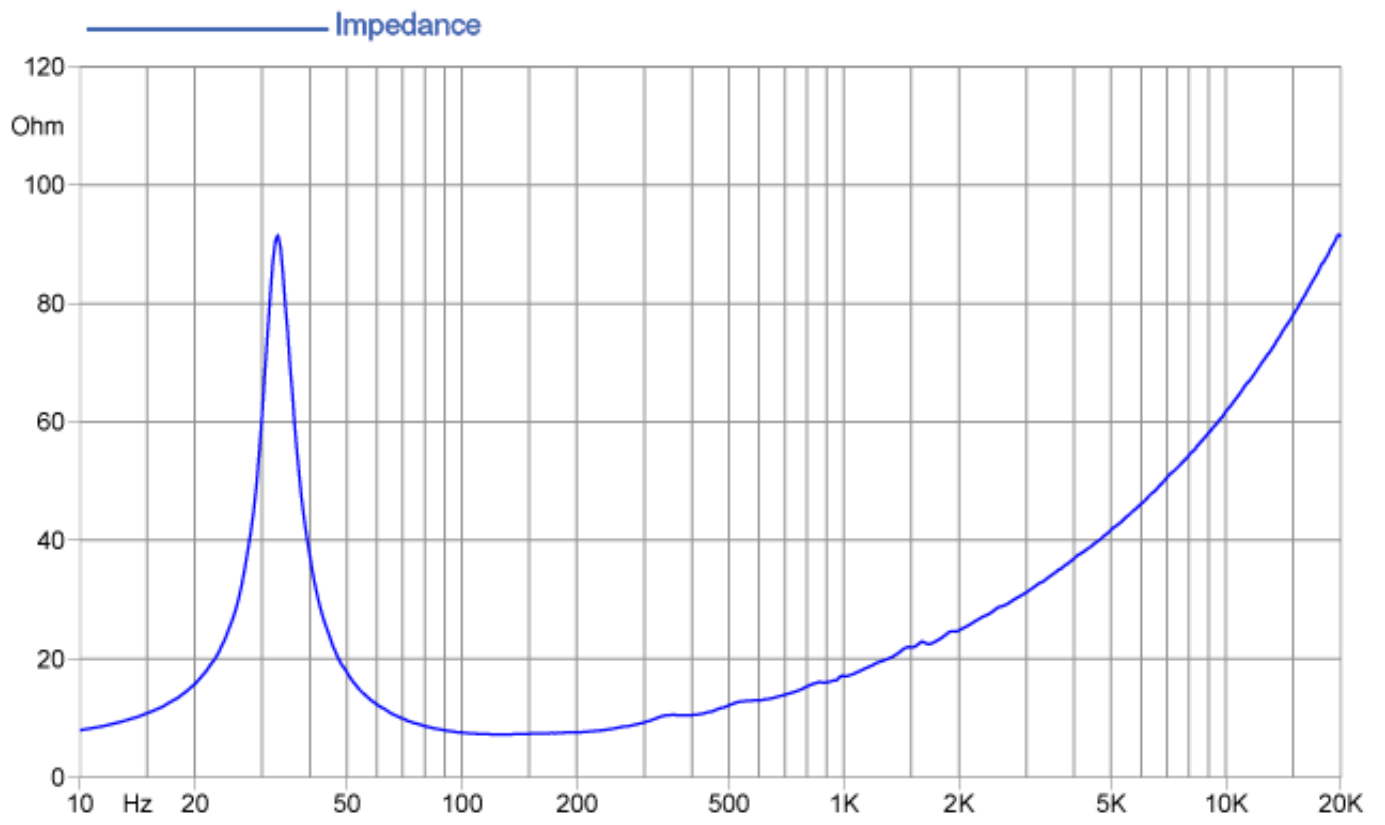
(***) Treated Polycotton

(****) $X_{max} = [(winding\ depth - magnetic\ gap\ depth) / 2] + (magnetic\ gap\ depth / 3)$

(*****) Maximum excursion before permanent damage

CURVES





©Copyright 2012 - Faisal S.p.A. Fabbrica Italiana Altoparlanti - All right reserved.